

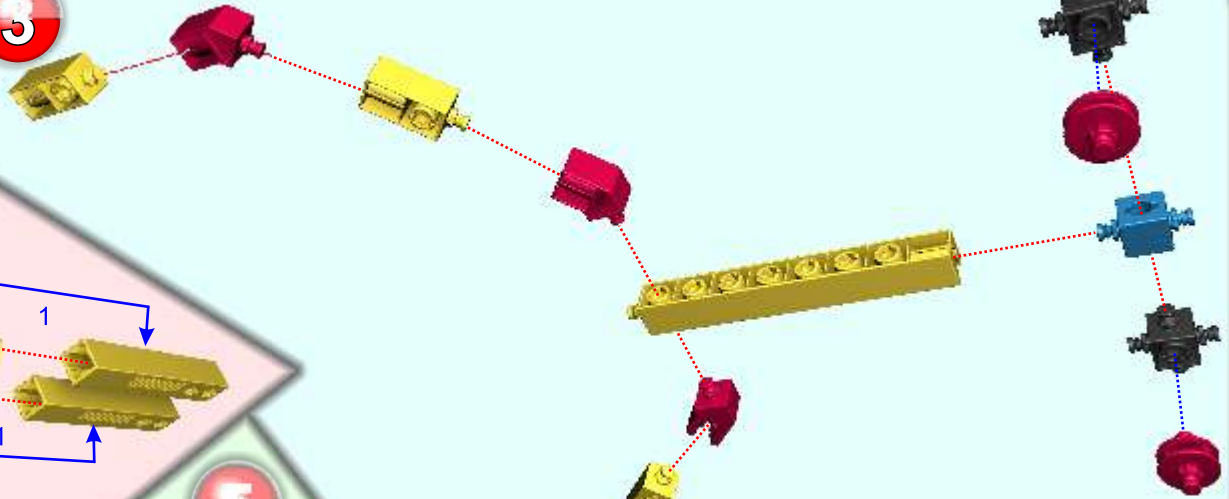
# Engino

MECHANICAL ARM

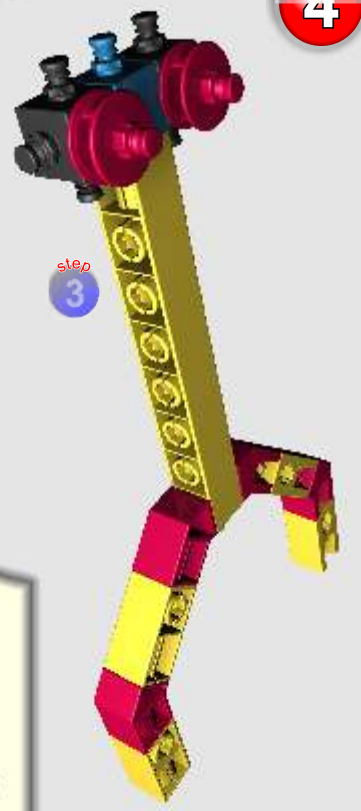


2

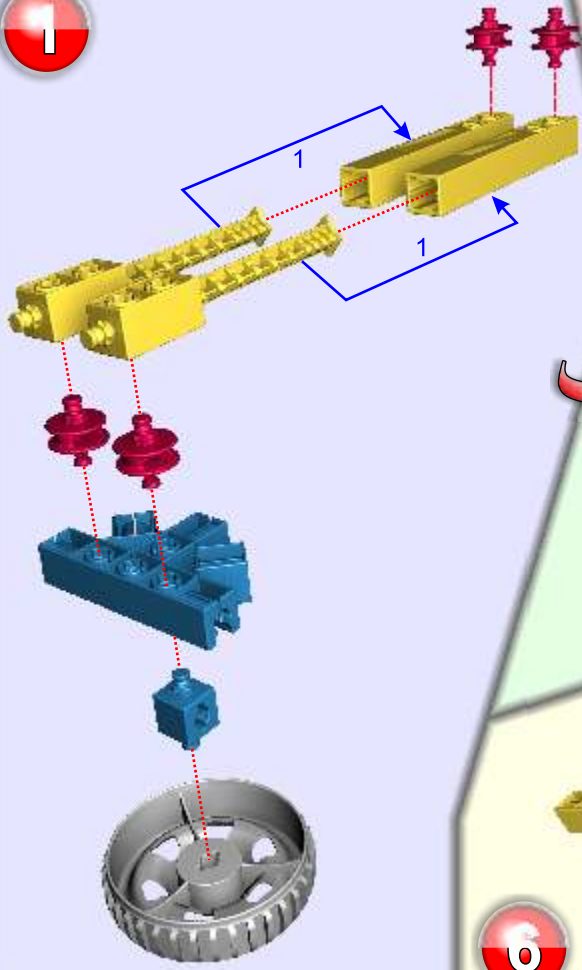
3



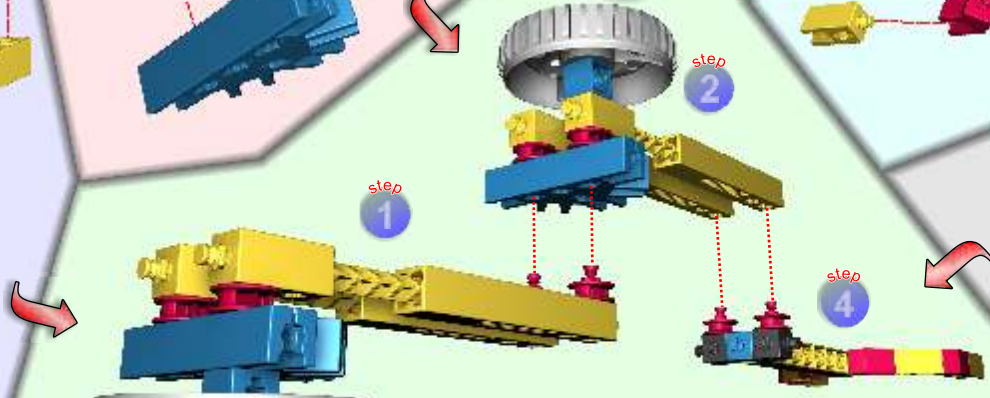
4



1

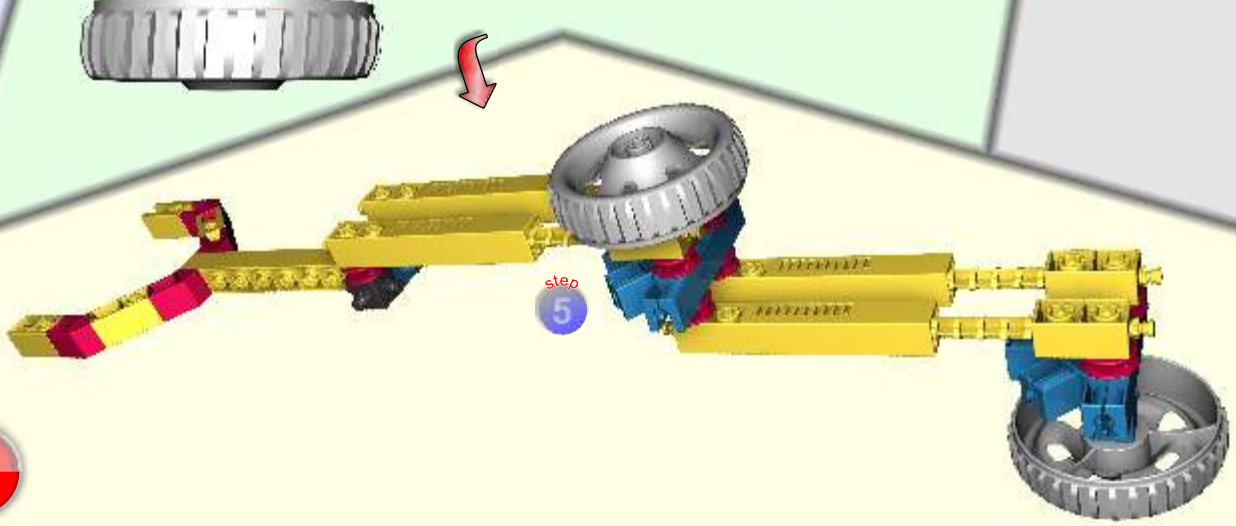


5



step 4

6



step 5