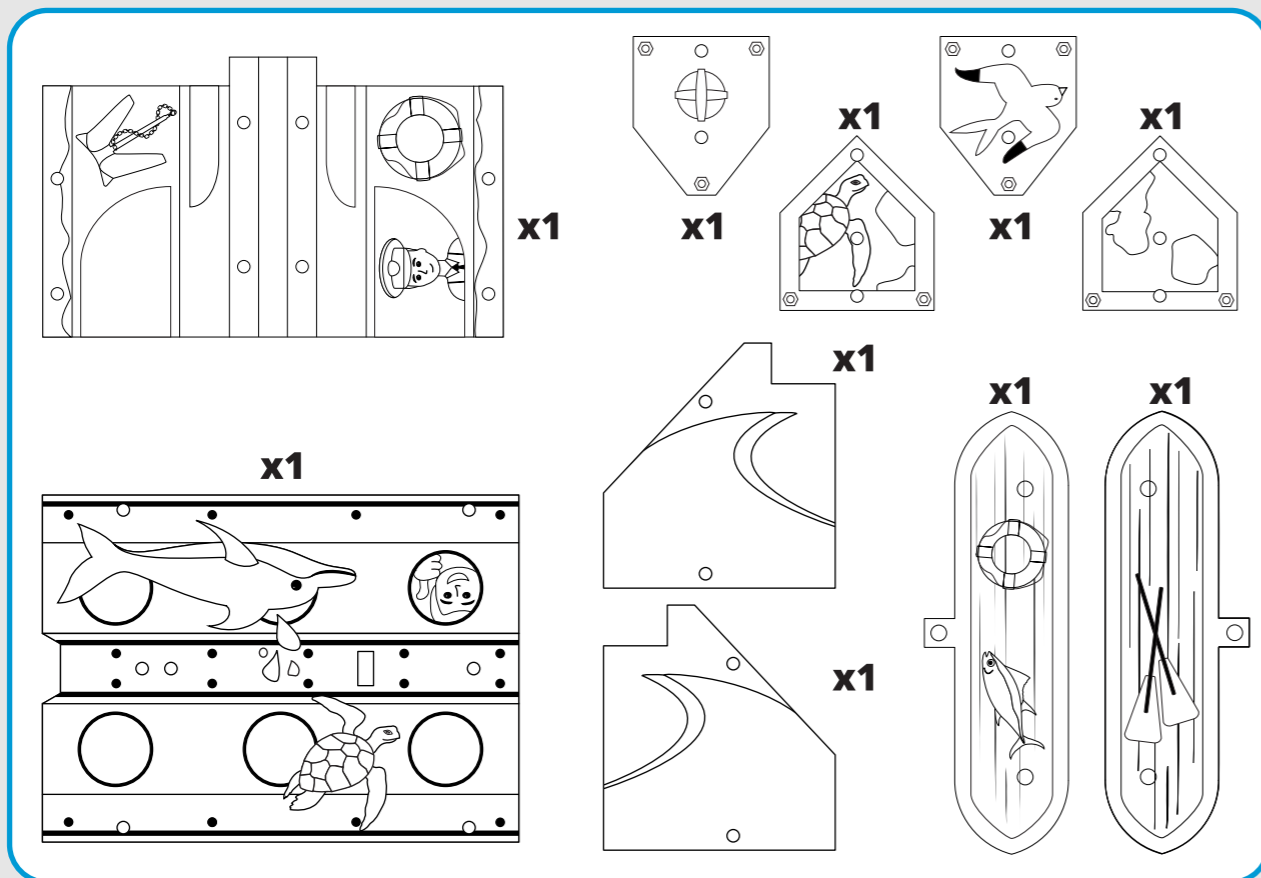
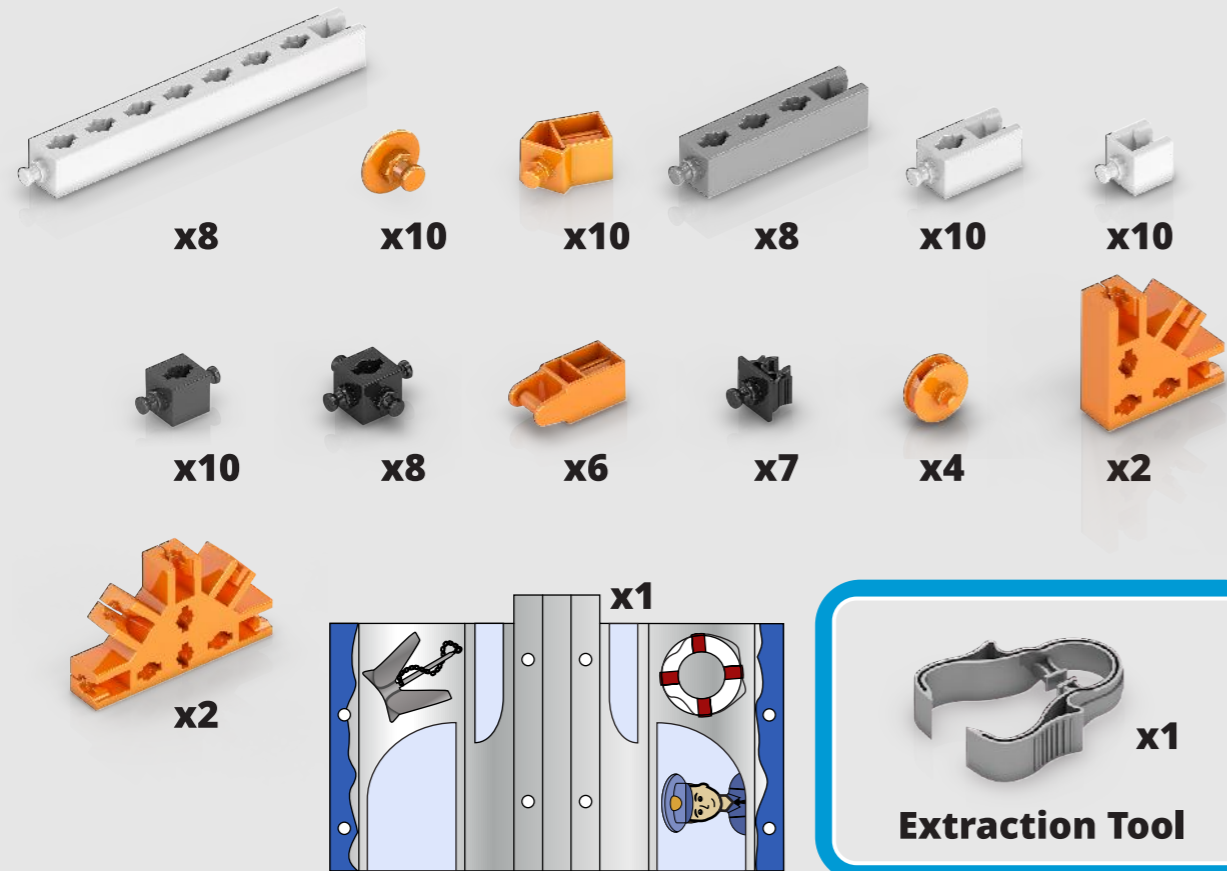
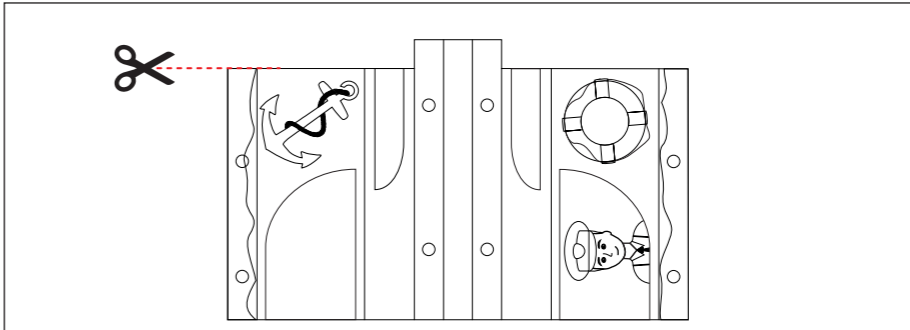


Bill of Materials



Art & Crafts



You can use the printed skins found in the package or print the online free skins.

- Color the skins.
- Use scissors to cut the outline (ask help from an adult).
- Attach the skin to the model.


Try FREE skins online:
www.Engino.com/steamxf/15

Download the skins to draw, color and design your model unlimited number of times! Create your own skins & share with fellow inventors!

Caution Cut Hazard: Requires scissors. Contact may result in injury. Always keep blades away from fingers and body. Handle with care. Adult supervision necessary.

Warning: Experiments use water. Perform the experiments away from all electrical devices to reduce the risk of electric shock.

Copyrights for images

©iStock.com / surely, skvoor, sturti

©123RF.com / Iurii Kovalenko, elen, Oleksandr Nebrat, Sergey Oganosov, Konstantin Shaklein, George Tsartsianidis, cek23, 123rfaurinko, Phirakon Jaisangat, tsuneo, olegdudko, 3drenderings

Copyright © Engino-Net Limited

All rights reserved. No part of these pages may be used for any other purpose other than personal use. Therefore, reproduction, modification, storage in a retrieval system or retransmission, in any form or by any means, electronic, mechanical or otherwise, for reasons other than personal use, is strictly prohibited without prior written permission from Engino-Net Limited.